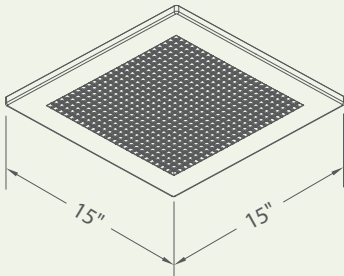
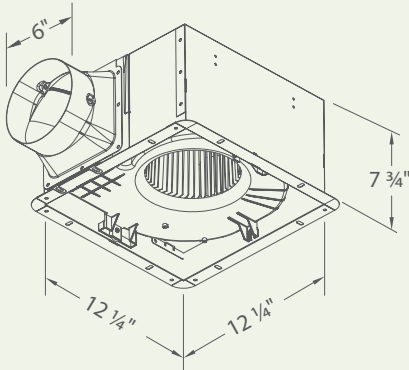




## Delta Breez Ventilation Fan Specifications

Pro300  
(300 CFM)

### Dimensions



### Description

Low noise ceiling mount ventilating fan rated for continuous running. ENERGY STAR® qualified. HVI, UL and cUL certified to comply with ASHRAE 62.2 local and whole building continuous and intermittent operation. Meets CA Title 24 requirements.

### DC Motor/Blower

- Power Rating of 120 Volts/60Hz
- DC brushless motor engineered to run continuously
- Motor equipped with thermal cutoff fuse
- Removable with permanently lubricated plug-in motor
- Built-in soft start function to increase bearings' life
- Automatically powers OFF when impeller is locked abnormally
- Self-compensating motor speed for intended airflow when static pressure is encountered

### Housing

- Galvanized steel body
- Detachable 6" diameter metal duct adapter
- Built-in backdraft damper
- Easy installation with suspension bracket

### Grille

- Attractive design using ABS material
- Attaches directly to housing with torsion springs

### LED Indicator

- Turn the power switch on/off to operate on/off. LED indicator will be green when power is on

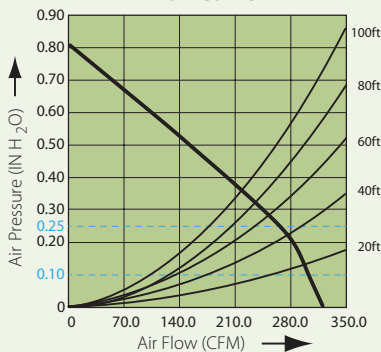
### Warranty

- 3-year limited warranty

### TYPICAL SPECIFICATION

Ventilation fan shall be Delta Breez model Pro300; ENERGY STAR qualified with DC brushless motor engineered to run continuously for a minimum 70,000 hours; air flow rating of 300 CFM and loudness rating of 2.0 Sones at 0.1 static pressure as certified by the Home Ventilating Institute (HVI); power consumption of 41 Watts with efficiency rating of 7.3 CFM/Watt at 0.1" static pressure; fan will feature LED indicator running light and motor lock protection; fan shall be UL/cUL listed for use over a bathtub or shower when installed in a GFCI protected branch circuit.

### Fan Curve



### Specifications

Pro300	6" Duct (Standard)	
Static Pressure (Inches w.g.)	0.1	0.25
Air Flow (CFM)	300	268
Sones	2.0	2.5
Power Consumption (Watts)	41	43
Energy Efficiency (CFM/Watt)	7.3	6.2
Current (Amps)	0.72 Max	
Power Rating (V/Hz)	120 / 60	