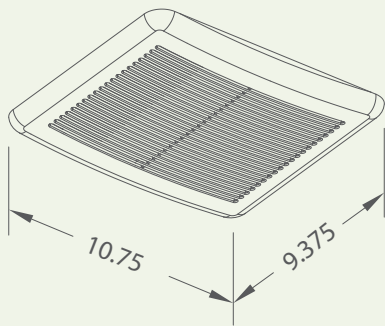
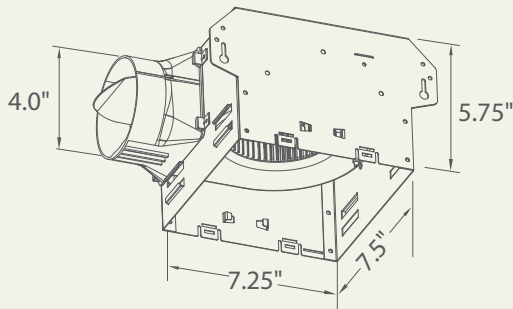




Delta BreezIntegrity Specifications

ITG80
(80 CFM)

Dimensions



Description

Low noise ceiling mount ventilating fan with low profile, rated for continuous running. Fan has been awarded ENERGY STAR®. It is HVI, UL, and cUL certified, and can be used to comply with ASHRAE 62.2 (local and whole building continuous and intermittent operation).

Motor/Blower

- Power Rating of 120 Volts/60Hz
- DC Brushless motor engineered to run continuously
- Motor equipped with thermal cutoff fuse
- Removable with permanently lubricated plug-in motor

Housing

- Galvanized steel body
- Detachable 4" diameter plastic duct adapter
- Built-in backdraft damper
- Easy installation

Grille

- Attractive design using ABS material
- Attaches directly to housing with torsion springs

Warranty

- 3-year limited warranty

Features

- For ceiling mount only, airflow of 80CFM(±10%) and 1.3 Sones at 0.1 static pressure
- Power consumption approximately 9.5 Watts with an efficiency rating approximately 8.5CFM/Watt at 0.1 static pressure
- Duct diameter no less than 4"
- UL and cUL listed for tub/shower enclosure when used with GFCI-protected branch circuit wiring

DC Motor Technology

- Built in soft start function to increase bearings life
- Automatically powers OFF when impeller is locked abnormally

Specifications

ITG80	4" Duct (Standard)	
Static Pressure (Inches w.g.)	0.1	0.25
Air Flow (CFM)	80	68
Sones	1.3	1.4
Power Consumption (Watts)	9.5	10.3
Energy Efficiency (CFM/Watt)	8.4	6.6
Current (Amps)	0.20 Max	
Power Rating (V/Hz)	120 / 60	
Project Pack Components Available ITG-A (housing) and ITG80-B (motor grille)		

Fan Curve

