



Delta BreezGreenBuilder

Perfectly quiet. Perfectly green.

Delta BreezGreenBuilder Series

GBR50*	50 CFM Fan Single Speed	
GBR50L*	50 CFM Fan/Light	💡
GBR80	80 CFM Fan Single Speed	
GBR80H	80 CFM Fan with Humidity Sensor	💧
GBR80HL	80 CFM Fan/Light with Humidity Sensor	💡💧
GBR80L	80 CFM Fan/Light	💡
GBR80LED	80 CFM Fan/LED Light	💡LED
GBR80MHL	80 CFM Fan/Light with Humidity and Motion Sensor	💡💧🚶
GBR100	100 CFM Fan Single Speed	
GBR100H	100 CFM Fan with Humidity Sensor	💧
GBR100L	100 CFM Fan/Light	💡
GBR100LED-DECOR	100 CFM Fan/LED Light	💡LED

* Product is ENERGY STAR Most Efficient 2016 distinction and ENERGY STAR qualified

Project Pack Components*

GBR-A	GreenBuilder Housing for Fan Only
GBR50-B	50 CFM Motor/Grille
GBR80-B	80 CFM Motor/Grille
GBR100-B	100 CFM Motor/Grille
GBRL-A	GreenBuilder Housing for Fan/Light, & Fan/Humidity Sensor
GBR50L-B	50 CFM Motor/Grille/Light
GBR80H-B	80 CFM Motor/Grille/Humidity Sensor
GBR80L-B	80 CFM Motor/Grille/Light
GBR100L-B	100 CFM Motor/Grille/Light

* Project Pack components are sold in quantities of four

	Delta Breez	Market AC Motor
Energy Use (Watts)	4.0	27.1
Noise Level (Sones)	<0.3	1.5
Annual Energy Cost per Fan (24/7) ¹	\$4.21	\$28.49

¹ Calculations based upon U.S. average retail electricity and HVI testing labs.

Actual results may vary

² Based upon BreezGreenBuilder G2 GBR50 vs. market AC motor fan

³ Based upon ENERGY STAR criteria for residential ventilating fans

The Builders' choice for green construction

Delta BreezGreenBuilder fans mark a new achievement in bathroom ventilation for green construction. Built upon market-leading energy efficiency, exceptionally low power consumption and virtually silent operation, the adds feature options of LED main light, adjustable humidity sensing and speed control, and a 100 CFM model. Additionally, the models have enhanced performance at 0.25" static pressure. Breez GreenBuilder stays true to what has made the GreenBuilder series a winning value proposition for builders and contractors: a reliable Delta brushless DC motor, compact lightweight design for quick installation, and performance ratings that far surpass building requirements...all at an affordable price.



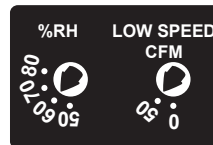
Fan Only & Fan with Humidity Sensor



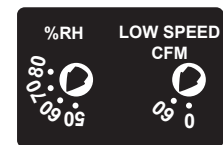
Fan/LED light



Fan/Light, Fan/Light with Humidity and/or Motion Sensor



Built-in Controls
GBR80H, GBR80HL, GBR80MHL,



Built-in Controls
GBR100H

Innovative brushless DC motor design for long life, low noise, and low power consumption

- Energy savings up to 85%²
- <0.3 sones - lowest tested noise level available for bath fans
- Exceeds ENERGY STAR® requirement by 346% in energy efficiency³
- Fan/light and fan/LED light combinations and project packs available

Project Pack Components Available

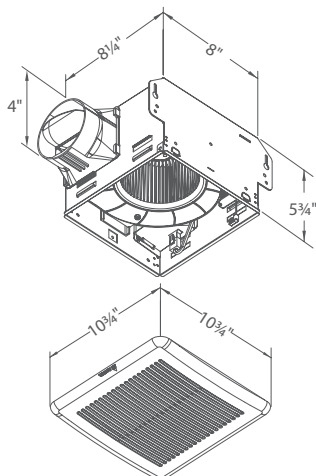


Specifications

Delta BreezGreenbuilder G2
Perfectly quiet. Perfectly green.

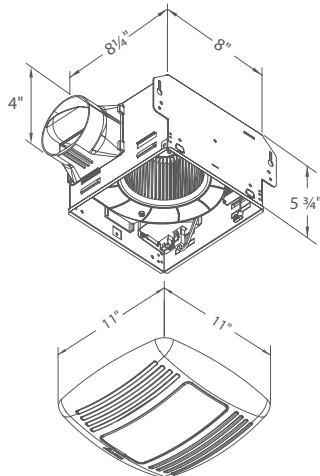
The Builders' choice for green construction. Designed for easy retrofit and new construction.

Fan Housing for
GBR50, GBR80, GBR80H,
GBR100 and GBR100H



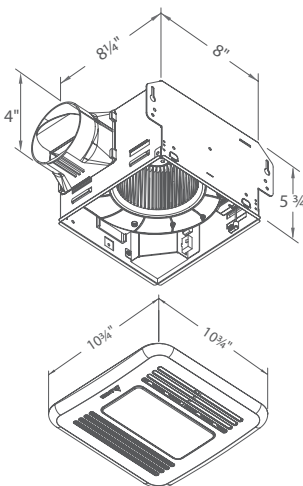
Grille for Fan Only

Fan/Light Housing for
GBR50L, GBR80L, GBR80HL,
GBR80MHL and GBR100L



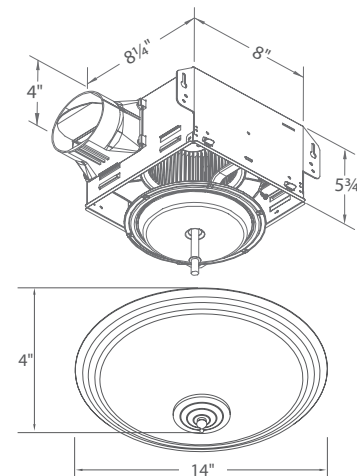
Grille for Fan/Light

Fan/LED Light Housing for
GBR80LED



Grille for Fan/LED Light

Fan/LED Light Housing
for GBR100LED-DECOR



Grille for GBR100LED-DECOR

Delta BreezGreenBuilder G2	GBR50		GBR50L		GBR80		GBR80H		GBR80L		GBR80HL/ GBR80MHL		GBR80LED		GBR100		GBR100H		GBR100L		GBR100LED-DECOR							
Fan Speed	Full Speed		Full Speed		Full Speed		Continuous Low Speed		Full Speed		Full Speed		Continuous Low Speed		Full Speed		Full Speed		Continuous Low Speed		Full Speed							
Static Pressure (Inches w.g.)	0.1	0.25	0.1	0.25	0.1	0.25	0.1	0.25	0.1	0.25	0.1	0.25	0.1	0.25	0.1	0.25	0.1	0.25	0.1	0.25	0.1	0.25	0.1	0.25				
Air Flow (CFM)	50	35	50	35	80	64	50	35	80	64	80	63	50	35	80	63	100	77	60	42	100	77	100	72				
Sones	<0.3	1.0	<0.3	0.8	0.8	1.5	<0.3	1.0	0.8	1.5	0.8	1.5	0.4	0.8	0.8	1.5	1.4	1.5	0.5	0.7	1.4	1.5	1.4	1.3				
Power Consumption (Watts)	3.8	5.2	4.5	5.8	10.5	12.5	4.0	6.0	9.7	11.8	11.0	13.6	5.3	7.0	11.5	11.4	11	13	12.6	11.6	4.9	6.3	12.6	12.5				
Energy Efficiency (CFM/Watt)	13.1	6.7	11.1	6.0	7.6	5.1	12.5	6.1	8.2	5.4	7.2	4.6	9.4	5.0	6.9	5.5	7.2	4.8	7.9	6.6	12.2	6.6	7.9	6.1				
Current (Amps)	0.12 Max		0.44 Max		0.21 Max		0.22 Max		0.50 Max		0.63 Max		0.33 Max		0.22 Max		0.24 Max		0.63 Max		0.32 Max							
Power Rating (V/Hz)	120 / 60																											
Mounting Opening	8 1/4" x 8"																											
Mounting Depth	5 3/4"																											
Duct Diameter	4"																											
Grille Size	10 3/4" x 10 3/4"		11" x 11"		10 3/4" x 10 3/4"		10 3/4" x 10 3/4"		11" x 11"		11" x 11"		10 3/4" x 10 3/4"		10 3/4" x 10 3/4"		10 3/4" x 10 3/4"		11" x 11"		14"							
Lamp (Watts)	N/A		26		N/A		N/A		26		26		13		N/A		N/A		26		13							
Lamp Style	N/A		GU24 CFL		N/A		N/A		GU24 CFL		GU24 CFL		LED Module		N/A		N/A		GU24 CFL		LED Module							
Automatic Operation	N/A				Yes (humidity)				N/A				Yes - GBR80HL (humidity) GBR80MHL (humidity & motion)				N/A				Yes - GBR100H (humidity)				N/A			
Dual Speed Operation	N/A				Yes (humidity)				N/A				Yes - GBR80HL (humidity) GBR80MHL (humidity & motion)				N/A				Yes - GBR100H (humidity)				N/A			
Color Temperature	N/A		2700 K		N/A		N/A		2700 K		2700 K		2700 K		N/A		N/A		2700 K		3000 K							
Lumens	N/A		1850		N/A		N/A		1850		1850		850		N/A		N/A		1850		950							
Shipping Gross Weight (Lbs)	7.0		8.8		7.0		7.2		8.8		8.6		7.5		7.0		7.6		8.8		13							
cUL Tub/Shower Enclosure	Yes																											
California Title 24 Compliant	Yes																											
Mfg in ISO 9001 Certified Factory	Yes																											
ENERGY STAR® Qualified	Yes																											
ENERGY STAR Most Efficient 2016	Yes				N/A																							
Warranty (Years)	3																											

Design and specifications subject to change without notice.



46101 Fremont Blvd., Fremont, CA 94538
tel 1.888.979.9889 | www.deltabreez.com

Delta BreezGreenBuilder Series - 07/16

Distributed by BULBS.COM
243 Stafford Street • Worcester, MA
01603 888.455.2800 • bulbs.com

