

Round Control Node



CN-RDMSB



CN-RDMSW



CNA-RDMSW

Features

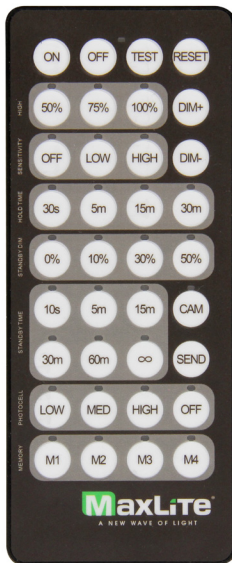
- Simple “Plug-and-Play” Connection - Easy to install in the field with pre-installed USB-C receptacle in controls ready fixtures
- Control Technology: PIR for motion sensing + Photocell
- Includes locking screw to resist vandalism and withstand vibration (Requires M1.5 Allen wrench)
- Easy Programming with IR Remote (CN-REMOTE sold separately) - Save and store settings to minimize commissioning time
- 0-10V Dimming Method with dim-to-off capability
- Bi-Level Dimming
- Ability to Set High Trim
- Daylight Harvesting via Continuous Adjustment Mode for Indoor applications
- Photocontrol via on/off mode for Outdoor applications
- Check <https://www.maxlite.com/cmax/> for c-Max fixture compatibility
- 5 Year Warranty

Ordering Information

| MODEL NUMBER | ORDER CODE | FINISH |
|--------------|------------|--------|
| CN-RDMSW | 105565 | WHITE |
| CN-RDMSB | 105566 | BRONZE |
| CNA-RDMSW | 108689 | WHITE |
| CN-REMOTE | 105567 | BLACK |

Specifications

| Specifications | CN-RDMSW | CN-RDMSB | CNA-RDMSW |
|-------------------------|--|----------|------------------|
| OPERATING VOLTAGE | 12-20VDC | | |
| OPERATING CURRENT | max 12mA | | |
| SINKING CURRENT | max 25mA | | |
| SENSOR TECHNOLOGY | Passive Infrared, Photoelectric | | |
| CONTROL OUTPUT | 0-10V | | |
| MAXIMUM MOUNTING HEIGHT | 40ft / 12m | | |
| DETECTION ANGLE | 120° | | |
| CONNECTOR INTERFACE | USB-C | | Audio Jack 3.5mm |
| COMMISSIONING PROTOCOL | IR | | |
| IP RATING | IP66 | | |
| CERTIFICATIONS/STANDARD | cULus Listed E511069, California Title 20 Compliant, FCC Part 15 Subpart B Class A | | |
| OPERATING TEMPERATURE | -40°F to 130°F / -40°C to 55°C | | |
| PHOTOCELL | LOW(1FC) / MEDIUM(20FC) / HIGH(50FC) (PC OFF) | | |
| HIGH TRIM | 50%, 75%, 100% | | |
| OVERALL DIMENSIONS | 2.48" x 1.42" / 63mm x 36mm | | |
| COLOR | White, Bronze | | |
| WEIGHT | 1.44oz/41g | | |



Requires at least one CN-REMOTE per project for commissioning
(remote control sold separately)



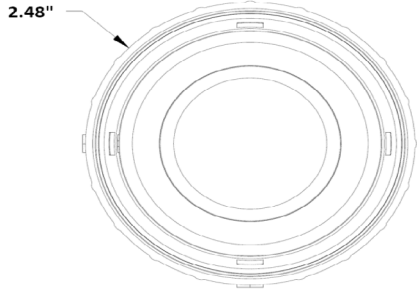
5-year standard warranty (further details available at www.maxlite.com/warranties) Product may be eligible for a warranty extension to 10 years, for an additional fee. Contact MaxLite for details.

Round Control Node

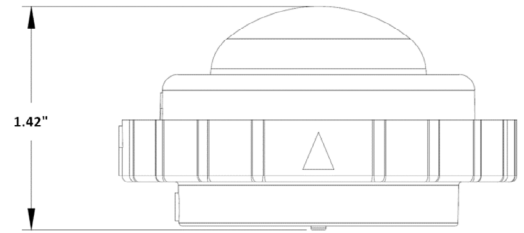
Product Dimensions

*Requires M1.5 Allen wrench

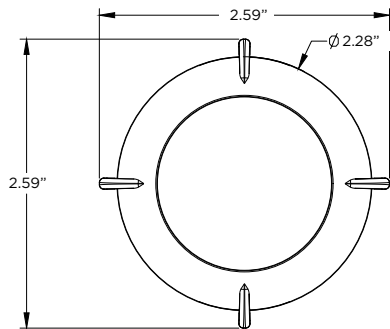
CN-RDMSx TOP



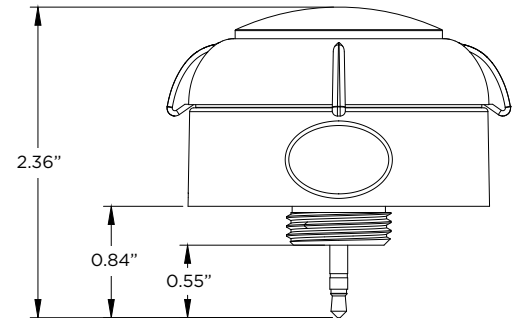
CN-RDMSx SIDE



CNA-RDMSW TOP



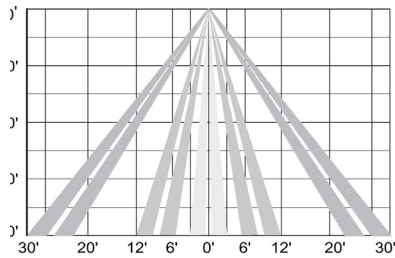
CNA-RDMSW SIDE



Sensor Detection Coverage for CN-RD/ CNA-RDMSW Models

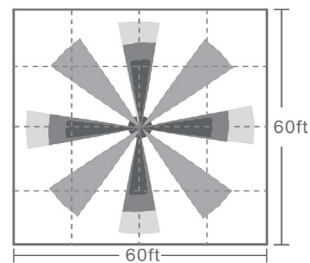
SIDE VIEW

HIGH BAY SIDE VIEW



TOP VIEW

HIGH BAY TOP VIEW



| | | | | | |
|------------------------------|--------|---------|------------|------------|------------|
| MOUNTING HEIGHT | ft (m) | 10' (3) | 20' (6) | 30' (9.1) | 40' (12.2) |
| MAX COVERAGE DIAMETER | ft (m) | 20' (6) | 40' (12.2) | 60' (18.3) | 80' (24.4) |

Click on www.maxlite.com/cmaj for c-Max fixture compatibility and installation video.



Basic Control Remote - Quick Guide



Check out the remote commissioning video here.



Remote Settings

| FEATURE | DEFINITION | SETTINGS |
|--------------|--|--|
| HIGH MODE | Set High Trim or Maximum light output setting | SET MAXIMUM THRESHOLD VALUE 50/75/100%. (SENSOR DEFAULT = 100%) |
| SENSITIVITY | Set motion detection sensitivity | OFF (NO OCCUPANCY) / LOW (50%) / HIGH (100%) (SENSOR DEFAULT=HIGH) |
| HOLD TIME | Time luminaire stays at the High Trim threshold when no motion detected before going into Standby Dim level. | 30S/5M/15M/30M (SENSOR DEFAULT=5MIN) |
| STANDBY DIM | With no motion detected and hold time elapsed, light output is reduced to this level | 0/10/30/50% (SENSOR DEFAULT=50%) |
| STANDBY TIME | With no motion detected, length of time luminaire stays at the Standby Dim level before turning OFF. | 10S / 5MIN / 15MIN / 30MIN / 60MIN / ∞ (SENSOR DEFAULT=30MIN) |
| PHOTOCELL | Turns luminaire ON/OFF based on photosensor settings. (Outdoor application) | LOW(1FC) / MEDIUM(20FC) / HIGH(50FC) (SENSOR DEFAULT = PC OFF) |

Default settings can be changed during commissioning
 For Standby Dim, "0%" means on/off control. There is no standby dimming level.
 For Standby time "∞" means bi-level dimming control. Luminaire will never turn off.

Memory Mode (Commissioning)

To begin commissioning, follow the steps below:

1. Select either M1, M2, M3, or M4.
2. Indicator lights on the remote will illuminate to indicate the current saved settings.
3. Settings can be changed by pressing appropriate buttons in the highlighted gray area of the remote. (HIGH, SENSITIVITY, HOLD TIME, STANDBY DIM, STANDBY TIME, and PHOTOCCELL). Review selected settings and make changes as necessary.
4. Point remote to desired luminaire to commission and press "SEND".
5. If configuration is successful, luminaire will flash suggesting settings are saved.

Note that any changes made to the sensor settings are automatically saved to the memory banks M1, M2, M3 or M4 and will override previous settings.

If commissioning multiple luminaires, select the configured memory mode M1/M2/M3/M4 then follow steps 4 and 5.

Test Mode

Press "TEST" to enter test mode. Luminaire will flash two times. Test mode will last five (5) minutes then return to previous setting.

| | |
|--------------|-----------|
| HOLD TIME | 2 Seconds |
| STANDBY DIM | 50% |
| STANDBY TIME | 2 Seconds |

To Turn Lights ON

Press "ON" to turn luminaire on.

To Turn Lights OFF

Press "OFF" to turn luminaire off.

Manual Dimming Mode

Press "ON", luminaire will blink, then press DIM+ or DIM- to adjust dimming level.

Continuous Adjustment Mode or CAM (Daylight Harvesting for Indoor Applications)

Continuously adjusts dim levels in response to changes in ambient light.

1. Point IR remote to desired luminaire
2. Enter Manual Dimming Mode - Press "ON", luminaire will blink, then press DIM+ or DIM- to adjust the desired light level.
3. Press "CAM", indicator lights on the remote will indicate current saved settings. Note: only HIGH, SENSITIVITY, and HOLD TIME can be selected for CAM settings. (Sensitivity should be set to either LOW or HIGH)
4. Review selected settings and make changes as necessary. Press "SEND".
5. If configuration is successful, luminaire will blink to confirm setting saved.

If configuring multiple luminaires, repeat steps 1-5 above to configure CAM settings. Light levels has to be configured for each luminaire individually

Reset Mode

Press "RESET" to enter reset mode. Luminaire will blink to indicate reset is complete. Sensor will default to original settings shown in the above table.

