



KTEB-239HO-UV-PS-SL

T5HO ELECTRONIC BALLAST

Version A4



DESCRIPTION

2 x F39T5HO | 120-277V Input | High Power Factor | Program Start | 90°C Rated | 9" Case

STARTING METHOD: Program Start
LAMP CONNECTION: Series
INPUT VOLTAGE: 120-277Vac ±10%
INPUT FREQUENCY: 50/60 Hz
POWER FACTOR: High
WARRANTY: 5 Years



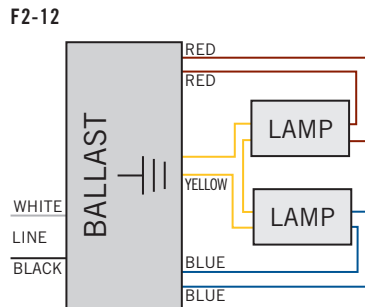
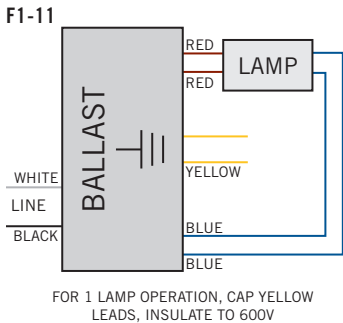
PRODUCT FEATURES

- Sound Rated: A
- Minimum Starting Temperature: 0°F, -18°C
- Maximum Case Temperature: 194°F, 90°C
- Meets FCC Part 18 (Class A) Non Consumer Limits
- UL, cUL 935 Listed
- Transient Protection Meets ANSI/IEEE C62.41 Cat. A
- Lamp End-of-Life Protected
- Class P, Type 1 Outdoor
- Type HL, Type CC

ELECTRICAL SPECIFICATIONS

Lamp Type	No. of Lamps	Input Volts	Input Watts	Input Current	Power Factor	Crest Factor	Ballast Factor	Ballast Efficacy Factor	Max. THD	Wiring Diagrams
F39T5/HO	2	120V	85W	0.71A	0.98	≤1.70	1.00	1.17	10%	F2-12
		277V	84W	0.31A	0.97	≤1.70	1.00	1.19	10%	F2-12
	1	120V	47W	0.40A	0.98	≤1.70	1.03	2.19	10%	F1-11
		277V	47W	0.18A	0.95	≤1.70	1.03	2.19	15%	F1-11
F24T5/HO	2	120V	52W	0.44A	0.98	≤1.70	1.00	1.92	10%	F2-12
		277V	51W	0.19A	0.97	≤1.70	1.00	1.95	10%	F2-12
	1	120V	31W	0.26A	0.98	≤1.70	1.03	3.32	10%	F1-11
		277V	31W	0.12A	0.90	≤1.70	1.03	3.32	15%	F1-11

WIRING DIAGRAMS





KTEB-239HO-UV-PS-SL

T5HO ELECTRONIC BALLAST

Version A4

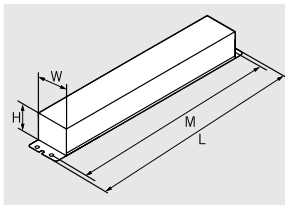
HOT SPOT LOCATION



Actual tc point is noted on each ballast label.

PHYSICAL SPECIFICATIONS

CASE DIMENSIONS



LENGTH	9.5"
WIDTH	1.3"
HEIGHT	1.0"
MOUNTING	8.9"
CASE STYLE	L30

STANDARD LEAD LENGTHS*

BLACK	25"
WHITE	25"
BLUE	23"
RED	23"
YELLOW	27"

Lead wires are 18 AWG 105 C/600V, solid copper.

CASE MATERIAL: Steel

*Consult Keystone for special lead length requirements.

ORDERING INFORMATION

ORDER CODE	PACKAGING STYLE	PACK QTY.	ITEM STATUS
KTEB-239HO-UV-PS-SL-CP	Carton Pack	20	Active

NOTE: Version A4 (Manufacturing Revision). Prior versions of this ballast exist. Spec sheets for prior versions available upon request. Contact Keystone for details.

CATALOG NUMBER BREAKDOWN

KTEB-239HO-UV-PS-SL-CP

Keystone Technologies Electronic Ballast	2 Lamp	Wattage High Output	Universal Voltage	Program Start	Slim Case Style	Packaging Style
---	-----------	---------------------------	----------------------	------------------	--------------------	--------------------