

# Next Gen JuiceBox

## User Manual

ENGLISH



enel\*way

# Table of contents

<b>Welcome to JuiceBox</b>	<b>3</b>
<b>Package Contents</b>	<b>3</b>
<b>Required Tools</b>	<b>3</b>
<b>Installation</b>	<b>4</b>
Installation Prerequisites	4
Installation	4
Load Balancing	7
<b>Locking Your JuiceBox</b>	<b>7</b>
<b>Wi-Fi Setup</b>	<b>8</b>
Wi-Fi Setup – Mobile Device	8
Wi-Fi Setup – Personal Computer	15
<b>Pairing Alexa</b>	<b>18</b>
<b>Specifications</b>	<b>18</b>
Characteristics	18
Connectivity	19
Dimensions	19
<b>LED Indicator</b>	<b>21</b>
<b>Important Safety Information</b>	<b>22</b>

# Welcome to JuiceBox

## Package Contents

- > JuiceBox



**NOTE:** In some markets, JuiceBox arrives secured to a cable holder that includes keys.

- > Wall bracket
- > 2 wall bracket screws (#10 self-tapping Phillips head wood screws)
- > 2 screws to hang JuiceBox onto wall bracket (#10-32 Phillips head machine screws).

## Required Tools

- > Phillips Screwdriver (No. 2 drive size)
- > Stud sensor
- > Stripper
- > Wire nut or wire coupler
- > Allen key
- > Electrical tape
- > Wrench or torque wrench

# Installation

## Installation Prerequisites

JuiceBox requires either a hardwired electrical connection or a NEMA 14-50 outlet.

The JuiceBox power supply must be connected to a circuit breaker that is rated for at least 125% of the device's continuous load.



**NOTE:** Ensure that all power connection wiring conforms to the rules and regulations of any national and local codes.

When selecting a location to install the hardwire connection or outlet, keep in mind that JuiceBox should be positioned:

- > Within reach of the vehicle's charge port
- > 18 inches above the floor or ground
- > If applicable, within range of a cellular connection or the local Wi-Fi network

## Installation

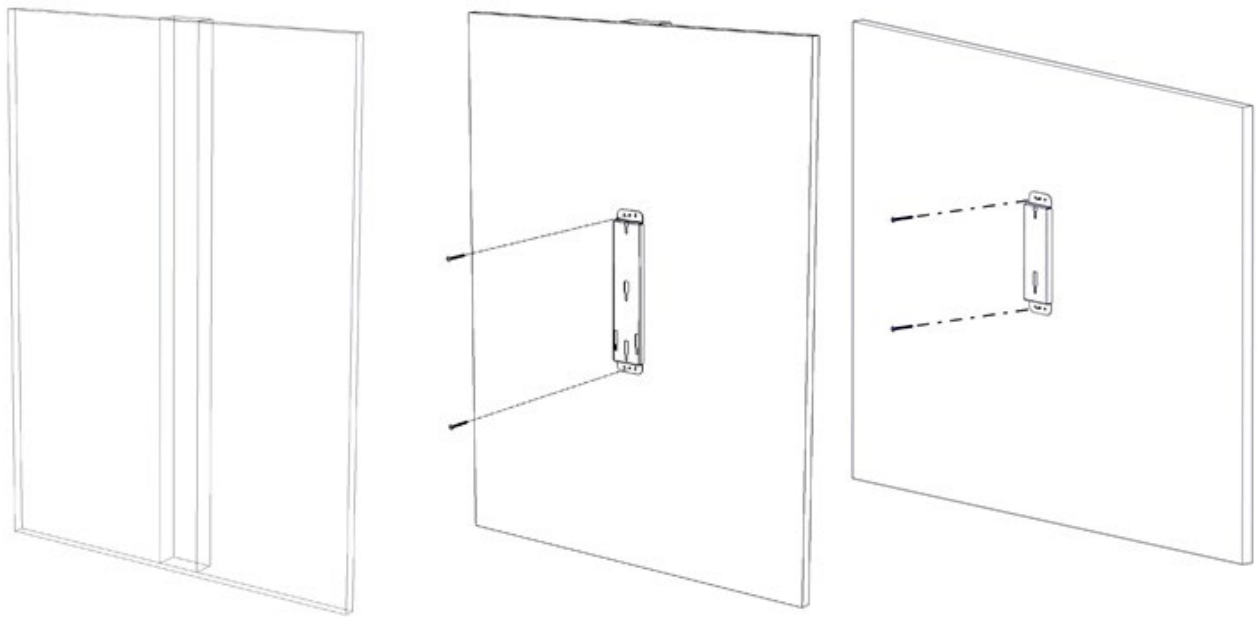
Fully read and understand the directions before installation. Refer to additional safety information at the end of this document.

1. Turn off the circuit breaker to the NEMA 14-50 outlet, NEMA 6-50 outlet, or hardwired electrical connection.



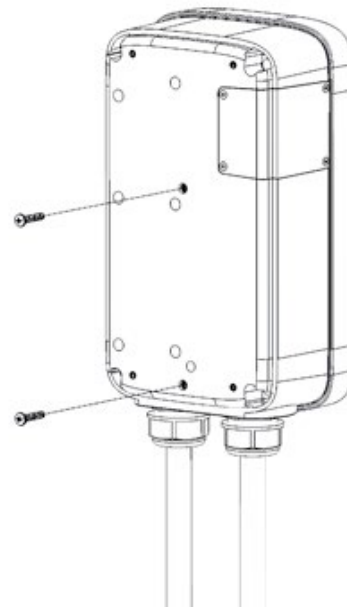
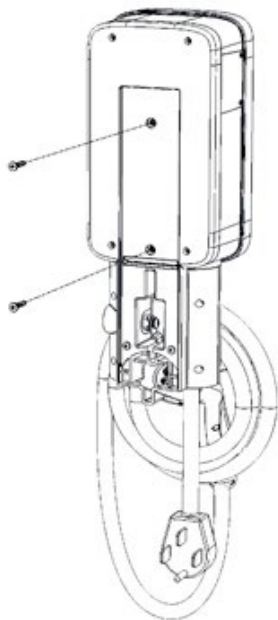
**WARNING:** Do not continue this installation until the circuit breaker is turned off.

2. Use a stud sensor to determine an appropriate mounting location, then use the 2 screws to secure the wall bracket.



	<b>Version with cable holder</b>	<b>Version without cable holder</b>
--	----------------------------------	-------------------------------------

3. Insert the enclosure screws into the enclosure, as shown. Tighten the screws until approximately 2 mm of thread are visible.

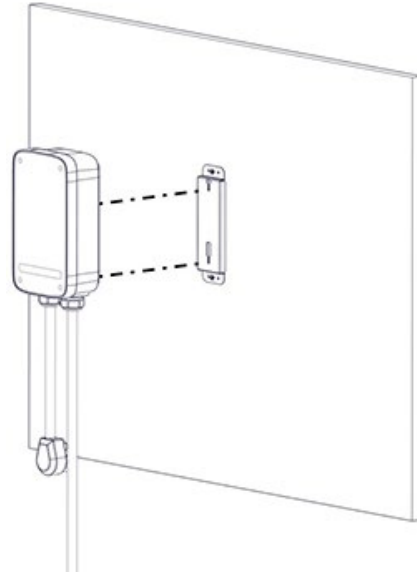
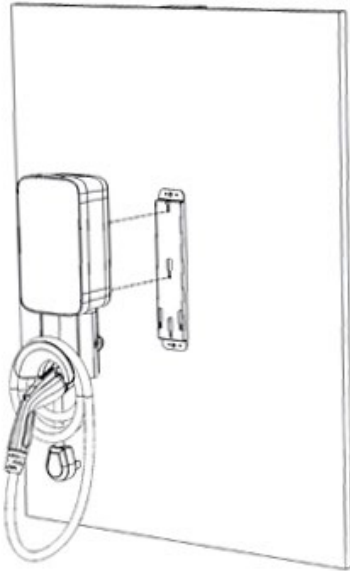


<b>Version with cable holder</b>	<b>Version without cable holder</b>
----------------------------------	-------------------------------------

4. Hang the JuiceBox onto the wall bracket.



**NOTE:** If the JuiceBox does not hang securely, adjust the screws that were installed in step 3. The 48 and 80 amp are hardwire only and do not have a plug as shown.



**Version with cable holder**

**Version without cable holder**

5. Connect the JuiceBox:

- > **Plug-In Version:** Plug the JuiceBox into the NEMA 14-50 outlet or NEMA 6-50 outlet.
- > **1-Phase Hardwired Version:** Connect the harness to the junction box.



**WARNING:** It is the installers responsibility to ensure that the JuiceBox is wired in accordance with the local electrical code.



**NOTE:** For the installation wiring, please have your electrician size the conductors for both rated wire temperature and 125% continuous load. Please refer to both the National Electrical Code (NEC) and your local Authority Having Jurisdiction (AHJ) for any additional requirements. <sup>1</sup>

<sup>1</sup>The neutral wire is not used, but may need to be present in the receptacle.



**NOTE:** The hardwire versions of the JuiceBox are shipped with appropriate wires that meet the National Electric Code (NEC) NFPA 70 and require a nearby junction box connection. Any alteration of the supplied wiring will invalidate the warranty and may not conform to NEC.

COLOR	SIGNAL
Black	L1
Red	L2
Green	Ground

6. Turn on the circuit breaker that supplies power to the NEMA 14-50 outlet, NEMA 6-50 outlet, or hardwired electrical connection.

## Load Balancing

- > Only balance to the circuit level.
- > Only balance stations with the same specifications.
- > Balancing specifications cannot exceed the rated continuous load of the circuit. (50 amp circuit = 40 amp continuous load allowed) (NEC 625.41 & 42) 2017 code.
- > Per NEC 625.42 additional outlets per circuit can be added due to the JuiceNet Automated Load Management System.

## Locking Your JuiceBox

After installing your JuiceBox, use the included keys to lock the JuiceBox to the wall frame.

# Wi-Fi Setup

## Wi-Fi Setup - Mobile Device

For best results, perform this procedure while standing within 5 ft (1.6m) of the JuiceBox.

1. Download and install the “**EV JuiceNet**” app onto your mobile device.



### Video walkthrough of this section



2. Log into the EV JuiceNet app. If you do not have an account, create one.
3. Select **Start**.





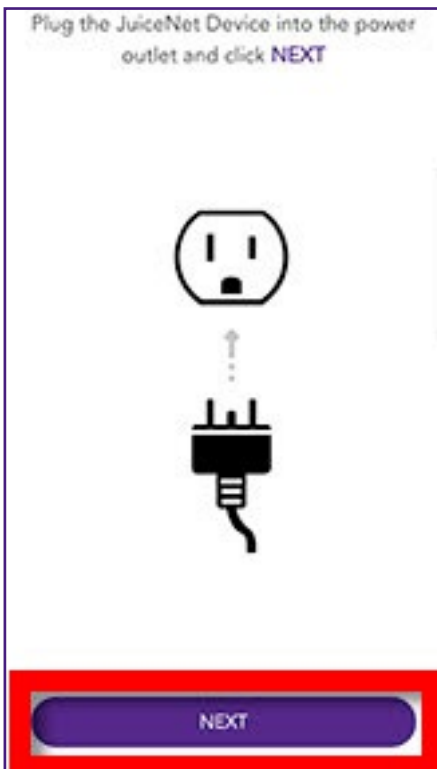
4. Select **Connect Now**.



5. Have the Wi-Fi network password ready, then disconnect power from the JuiceBox. In the app, select **Next**.



6. Connect power to the JuiceBox. In the app, select **Next**.





**NOTE:** After powering the JuiceBox, steps 7 through 10 must be completed within 2 minutes.

7. Navigate to the Wi-Fi settings on your mobile device. Connect to the "JuiceBox-###" or "JuiceNet-###" Wi-Fi network. If the network requires a password, use the password "GoElectric" (case-sensitive).



**NOTE:** The actual name of the network varies by device, such as "JuiceBox-123".



8. Return to the EV JuiceNet app.



9. In the EV JuiceNet app, select the preferred local Wi-Fi network.

10. Enter the Wi-Fi network password, if necessary, then select **Done / Connect JuiceNet device to Wi-Fi**.

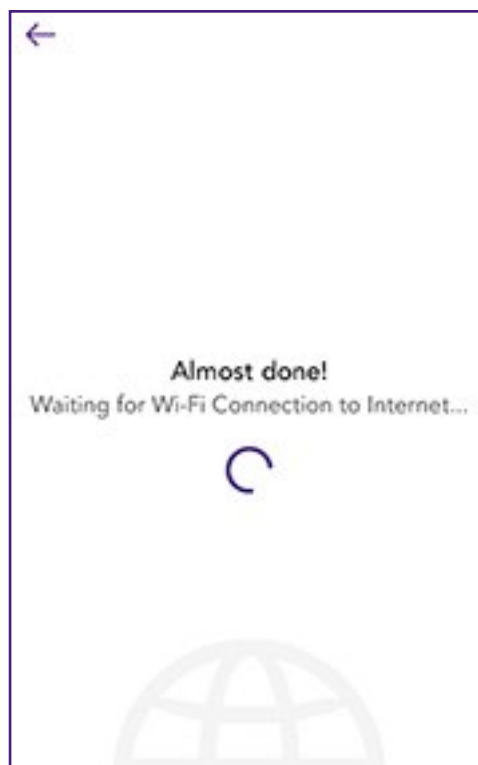




**NOTE:** If prompted, verify the password, then select **Done / Password is correct**.



The app connects the JuiceBox to the Wi-Fi network.



11. After the app confirms that Wi-Fi setup is complete, select **Next** to continue to the app home screen.



**NOTE:** After connecting, JuiceBox checks its firmware version and performs any necessary updates. Wait 10 minutes before plugging in a vehicle.



**NOTE:** Customize your experience by following the onscreen app instructions to select your vehicle and charging profile, or navigate to the JuiceNet dashboard on a personal computer at <https://home.juice.net>

# Wi-Fi Setup – Personal Computer

## CONNECT TO WI-FI

1. Unplug the JuiceBox, then plug it back in.



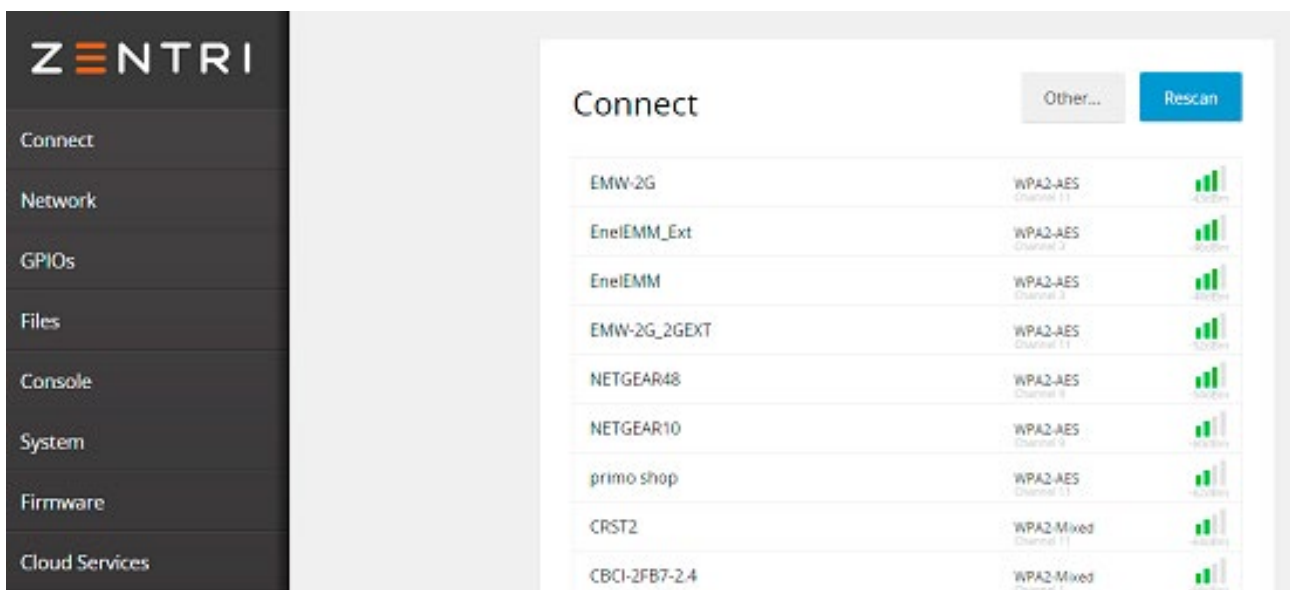
**NOTE:** The following steps must be completed within 2 minutes of plugging in the JuiceBox.

2. Open the Wi-Fi settings on your personal computer. Connect to the "JuiceBox-####" or "JuiceNet-####" Wi-Fi network using the password "GoElectric" (case-sensitive).



**NOTE:** The actual name of the network varies by device, such as "JuiceBox-123".

3. In a web browser, navigate to 10.10.10.1 or to setup.com to view a list of available Wi-Fi networks.



4. Select the desired Wi-Fi network. Enter the Wi-Fi network password, if necessary. Click **Connect**.

Verify that the JuiceBox is connected by checking that the "Network" indicator on the enclosure is solid blue.



**NOTE:** After connecting, JuiceBox checks its firmware version and performs any necessary updates. Wait 10 minutes before plugging in a vehicle.

## SET UP JUICENET DASHBOARD

1. Log into the [dashboard](#).
2. Select **Add JuiceNet Device**.

My JuiceNet Devices

Your usage

Current electrical load:	Total:
Amperage: 0 amps	Units: 0
Power: 0 kilowatts	Energy: 0 kilowatt-hours
Energy: 0 kilowatt-hours	Savings: \$0

Update device list

**+ Add JuiceNet Device**

3. Enter the JuiceNet ID and select **Add JuiceNet Device**.



**NOTE:** JuiceNet detects and displays all devices on the local network. Click on the appropriate Device ID to automatically paste it into the entry field.

### Add JuiceNet Device

JuiceNetDevice ID \*

0817011001010430965118241903

JuiceNet Devices found on your network (IP Address: )

Item ID	Item Name	Last seen
0817011001010430965118241903	MY JUICEBOX	7/24/2019, 3:55:33 PM

**+ Add JuiceNet Device** Cancel



4. In the lefthand navigation menu, select **My JuiceNet > My JuiceNet Devices**.
5. Locate the appropriate device and select **MORE DETAILS**.

**MY JUICEBOX**

08170110010104309651... 235 V  
0.0 A  
**PLUGGED IN** 0.0 kW

**ENERGY:** 21.9 kWh (175.7 total)  
**SAVINGS:** \$8.11 (\$64.94 total)

**MORE DETAILS >**

6. Select **Settings**.
7. Enter the device name, address, and timezone, then select **Update**.

Status History Settings

RESET AND CLEAR HISTORY Update

JuiceNet Device Settings

**Device name**  
MY JUICEBOX

**Address**  
123 Main  
94541

**GPS coordinates**  
-121.7376

**Timezone**  
(UTC-08:00) Pacific Time (US & Canada)

# Pairing Alexa

Refer to [Pairing Alexa](#) for more details.

## Specifications

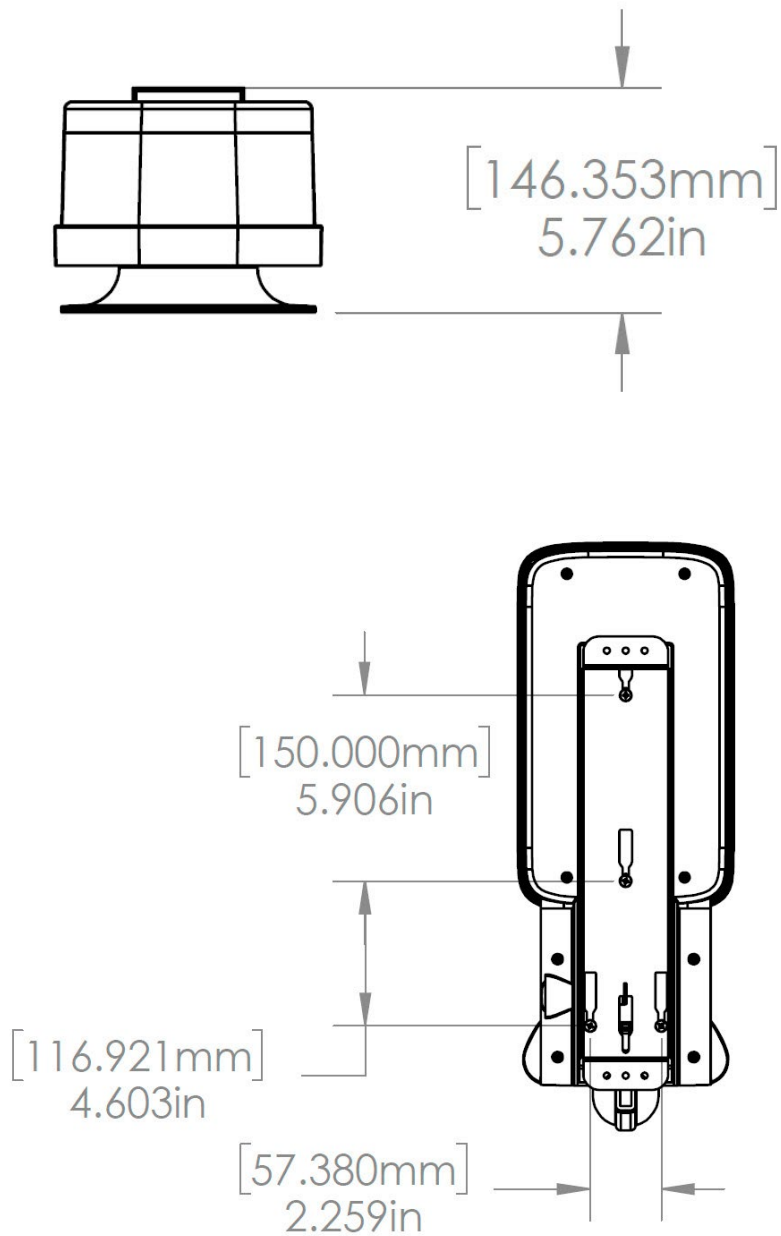
### Characteristics

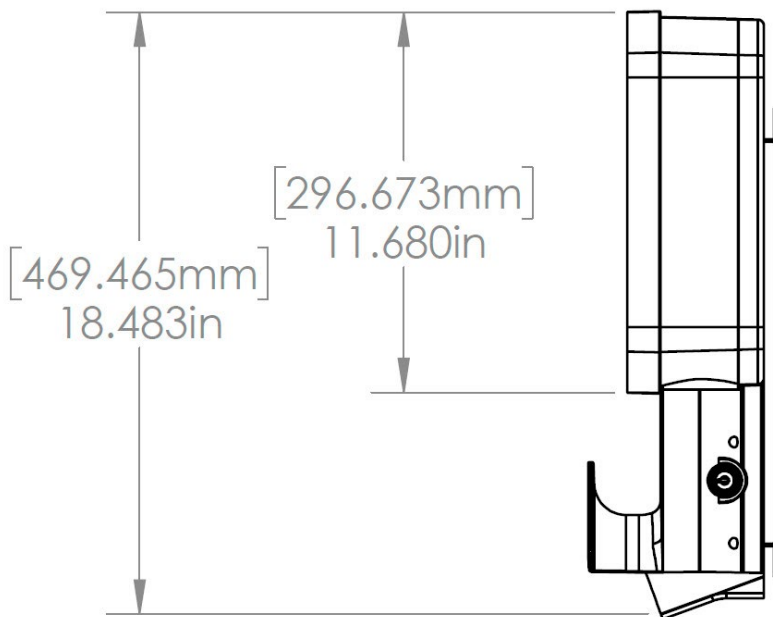
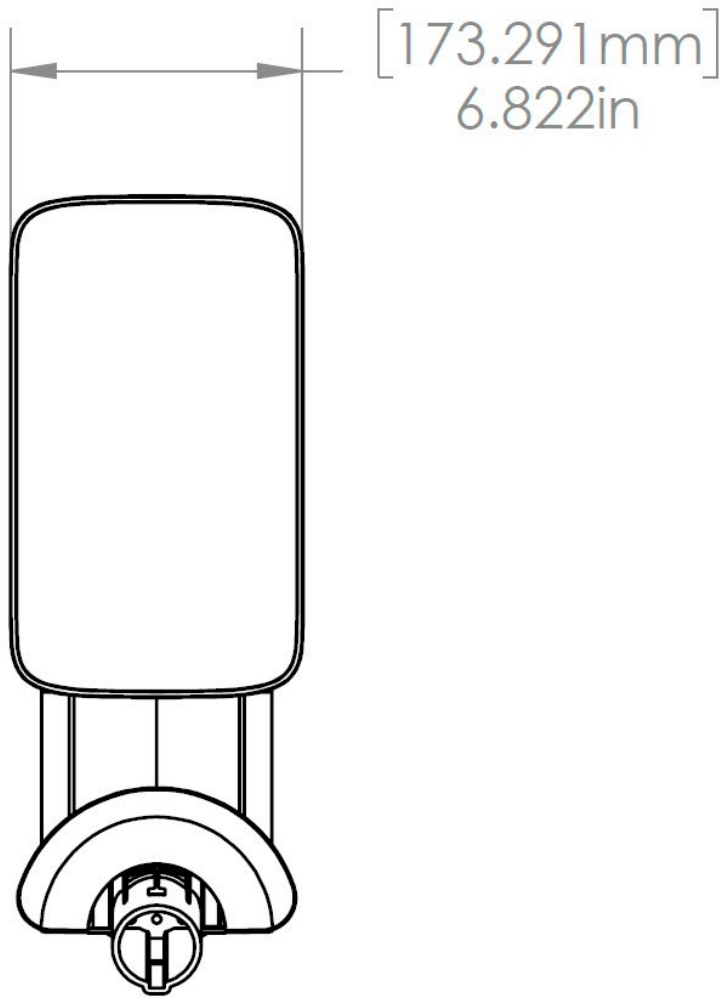
<b>OUTPUT POWER</b>	<b>32A max:</b> Up to 7.7 kW, 32A, 1-phase
	<b>40A max:</b> Up to 9.6 kW, 40A, 1-phase
	<b>48A max:</b> Up to 11.5 kW, 48A, 1-phase
	<b>80A max:</b> Up to 19.2 kW, 80A, 1-phase
<b>INPUT VOLTAGE</b>	208 or 240 VAC
<b>CHARGING MODE</b>	Mode 3
<b>LEDs</b>	Dynamic LEDs displaying charging status
<b>PROTECTION</b>	IP67
	AC 20mA Ground Fault Detection
<b>TEMPERATURE RANGE</b>	From -40°C to +60°C
<b>STANDARDS AND CERTIFICATIONS</b>	IEC 61851-1
	UL Certified

## Connectivity

<b>WI-FI</b>	IEEE 802.11b/g/n 2.4 GHz
<b>(OPTIONAL) CELLULAR</b>	LTE (CAT-1) Bands B2, B4, B5, B12/B13
<b>3G</b>	Bands B2 (1900), B5 (850); PTCRB and GCF certification

## Dimensions
















# LED Indicator

COLOR	PATTERN	MEANING
<b>Blue</b>	Flashing	Setup Mode
<b>Yellow</b>	Solid	Booting after power  (Note: During booting, solid Yellow may be followed by Purple before going to Setup Mode)
	Flashing	Vehicle plugged in, not charging  (Note: EV not ready to charge or charging suspended (ToU) or in earlier releases: charging finished)
<b>White</b>	Solid	Online: Idle, vehicle not plugged in
<b>Purple</b>	Solid	Offline: Idle, vehicle not plugged in
<b>Green</b>	Solid	Vehicle finished charging  Note: Firmware release 1.0.30 only.)
	Long Flash (5-sec duration)	RFID authorized
	Flashing	Vehicle charging
<b>Red</b>	Flashing	Error <a href="#">(Refer to error codes)</a>

# Important Safety Information

Read all safety information before installing this product.

-  **WARNING:** This device should be supervised when used around children.
-  **WARNING:** Do not put fingers into the electric vehicle connector.
-  **WARNING:** Do not use this product if the flexible power cord is frayed, has broken insulation, or shows any other signs of damage.
-  **WARNING:** For use with electric vehicles only.
-  **WARNING:** Do not use this device with an extension cord.
-  **WARNING:** Do not remove cover or attempt to open the enclosure. No user serviceable parts inside. Refer servicing to qualified service personnel.
-  **WARNING:** Install and use away from flammable, explosive, harsh or combustible vapors, materials or chemicals.
-  **WARNING:** Do not operate outside temperature rating of  $-40^{\circ}\text{C}$  to  $+60^{\circ}\text{C}$ .
-  **WARNING:** This device is intended only for electric vehicles not requiring ventilation during charging.
-  **WARNING:** This product must be grounded. If it should malfunction or break down, grounding provides a path of least resistance for electric current to reduce the risk of electric shock.
-  **WARNING:** Improper connection of the equipment-grounding conductor is able to result in a risk of electric shock. Check with a qualified electrician or serviceman if you are in doubt as to whether the product is properly grounded.