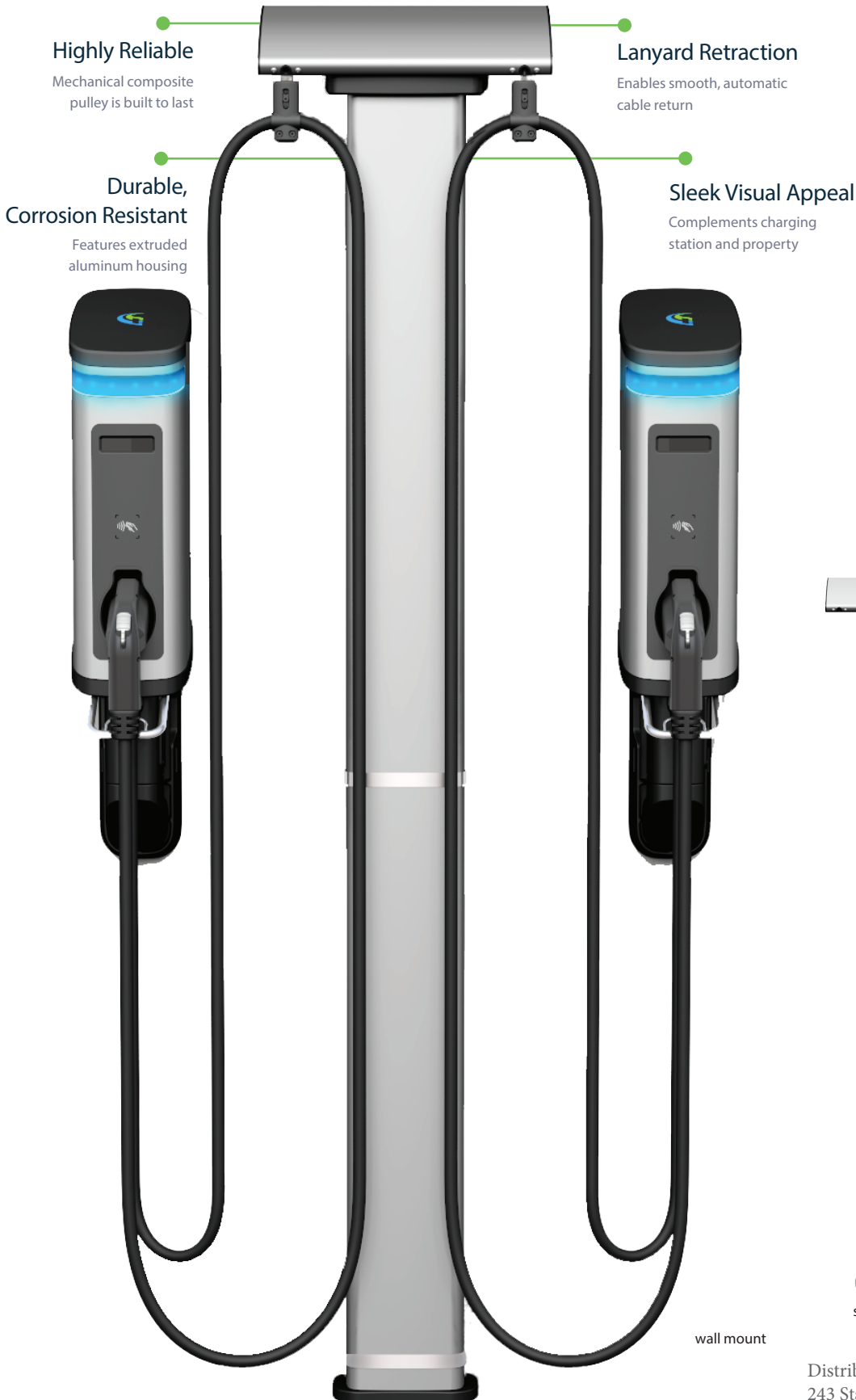




SemaConnect™

Cable Management System

Optional accessory for all SemaConnect EV Charging Stations



The SemaConnect Cable Management System is designed to keep your charging station cables clean and organized. In addition to further enhancing the look of your property, Electric vehicle drivers can easily extend the cable to the length required for their vehicles' charge port. The lanyards support the charger cable to keep it above the parking lot surface at all times.

When the charging session is complete, the driver simply returns the plug to the end of the unit housing and the cable automatically retracts to form a clean, organized loop.

The Cable Management System can be wall mounted as shown on the left or used with a single or dual pedestal as shown below.



Distributed by BULBS.COM
243 Stafford Street • Worcester, MA
01603 888.455.2800 • bulbs.com



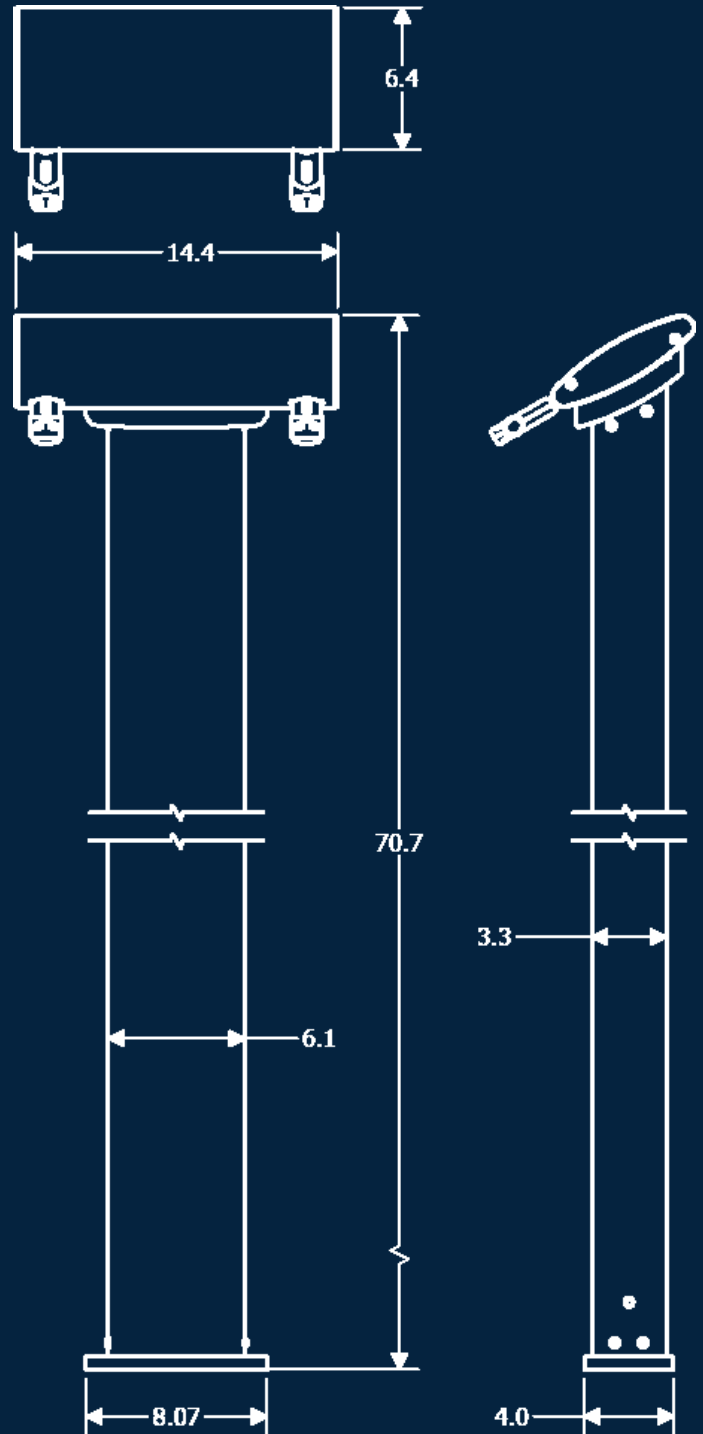
Cable Management System

Designing the SemaConnect EV Charging Station and Cable Management System came with one goal in mind:

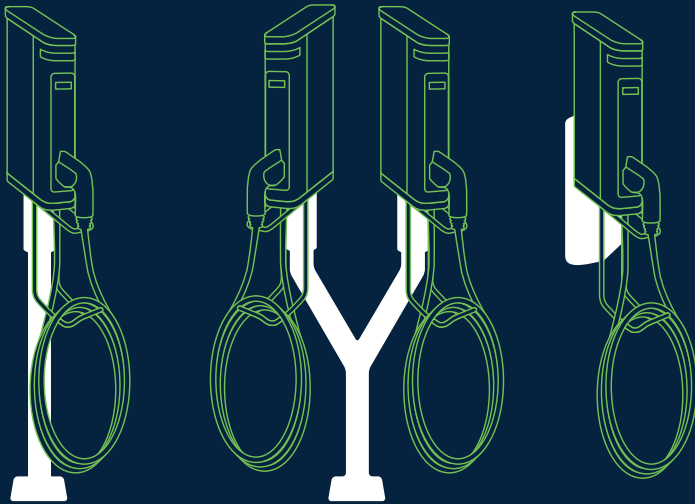
To create the perfect electric vehicle charging station suitable for commercial applications

such as multifamily, office, hotel, retail, fleet, municipality and urban garages. Its compact form factor, ease of installation and comprehensive online management system make it the best choice for charging electric vehicles.

Dimensions are in inches



Multiple mounting options:



single pedestal

double pedestal

wall mount