

## DIMMABLE ELECTRONIC LOW VOLTAGE TRANSFORMERS

60 & 75 Watt Models

### GENERAL INFORMATION

<b>Input Voltage</b>	120VAC, 277VAC, 230V - 50-60Hz
<b>Output</b>	11.5 VAC
<b>Enclosure Material</b>	Aluminum
<b>Weight</b>	2.4 oz.
<b>Power Factor</b>	0.98
<b>Total Harmonic Distortion</b>	≤ 20%
<b>Input</b>	8", 18AWG stranded, 105 degree C stripped 3/8" tinned
<b>Output</b>	6", 18AWG stranded, 200 degree C stripped 3/8" tinned

### PRODUCT FEATURES

- High Reliability
- Moisture Resistant
- Emits no audible noise
- Low Harmonic Distortion
- High power factor
- Lightweight, compact design
- Small case size
- Works with most commercially available dimmers. Hardwire electronic dimmers are recommended for optimum performance.

### HARDWIRE ELECTRONIC

Max Watts	Min Watts	Hatch Part Number	Input Volts	Output Volts	Input Amps	Output Amps	Case Style	Safety Listing
60	10	RL12-60A	120	11.5	0.50	5.3	A	UL/C-UL Recognized, Class 2
<b>75 Watt</b>								
75	10	RL12-75A	120	11.5	0.63	6.3	A	UL/C-UL Recognized, Class 2
		RL12-75ABF					B	
		RL12-75A-277*	277		6.25	A		
		RL12-75ABF-277*	277			B		
		RL12-75-230WD	230			A		

NOTE: Must use a minimum of 20 watts when using dimmers. It is also important to confirm dimming controls compatibility with the manufacturer and your Hatch representative.

\*277 Volt dimming not recommended.

## RL HARDWIRE TRANSFORMERS



### ENVIRONMENTAL SPECIFICATIONS

<b>Maximum Case Temp.</b>	90°C
<b>Minimum Starting Temp.</b>	-18°C
<b>Maximum Storage Temp.</b>	85°C
<b>Sound Rating</b>	A+
<b>Operating Humidity</b>	95% relative humidity, non-condensating
<b>Environmental Protection</b>	Fully potted for moisture resistance and shock/vibration resistance

### APPROVALS

- UL Class 2 Approved
- RoHS Compliant

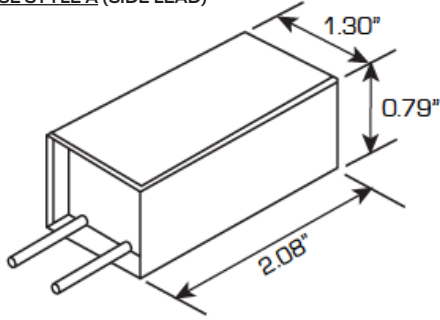




## DIMENSIONS

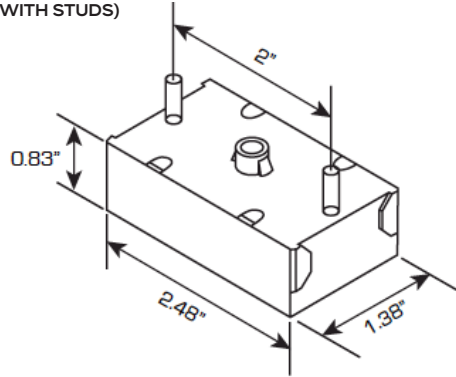
### RL 60 through 75 Watt

CASE STYLE A (SIDE LEAD)



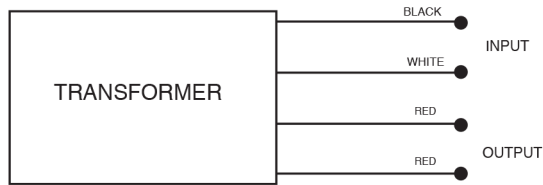
### RL 60 through 75 Bottom Feed

CASE STYLE B (WITH STUDS)

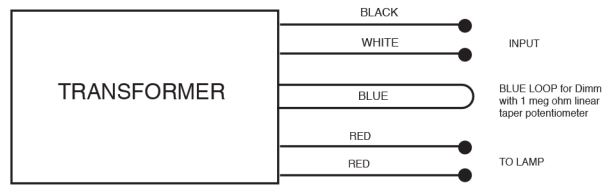


## WIRING DIAGRAMS

### DIAGRAM A



### DIAGRAM B for RL12-75-230WD\*



\*WD units are for use with halogen lamps only. WD models have dimming loop for use with 1 meg ohm potentiometer versus line side dimmer controls.